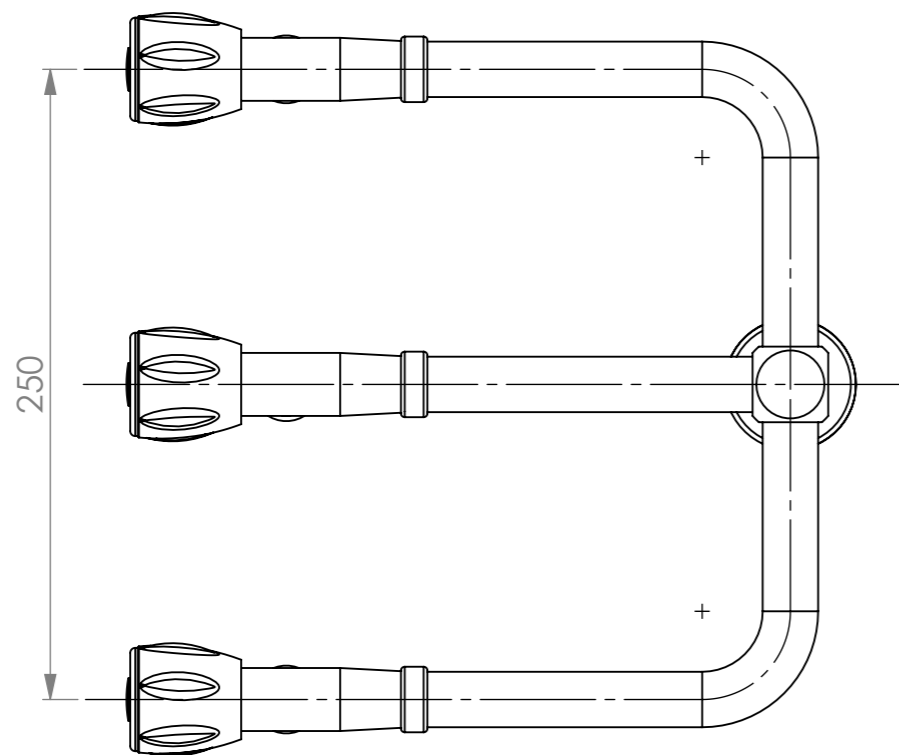






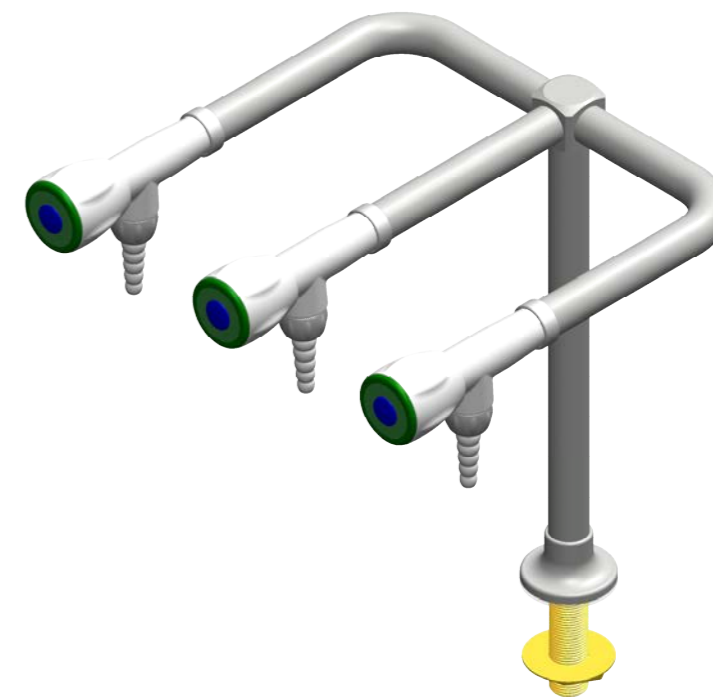
PVC-Gasket, transparent

Hexagon nut G1/2 SW36 with 2x M4 female thread for anti-rotation



Media		MM
		Potable water 03
		Non-potable water 06

Max. bench thickness: 50 mm
Bench drilling: $\varnothing 21+1$ mm



UNLESS OTHERWISE SPECIFIED, ALL DIMENSIONS IN MM

WEIGHT: 2397.11g

CREATED 03.07.2023 D.kheradvar

CHECKED

RELEASED



THIS DRAWING IS PROPERTY OF ILA GMBH, IT CAN NOT BE PUBLISHED OR COMMUNICATED WITHOUT CONSENT OF ILA GMBH

DESCRIPTION
Bench mounted E-shaped three way valve on a column for water. Inlet connection: 70mm shank with G1/2 male thread. Height: 300mm. 200mm stand out of each valve. Removable plastic hose nozzle. Molded nylon handle with media indication according to EN 13792. Rubber compression control headwork, 2 x 360°. RAL 7035 powder coated finish.

DRAWING NUMBER:
14.1800.20MM.0320

A3

SCALE: 1 : 3

PAGE: 1 / 1

INDEX	CHANGE	DATE	NAME