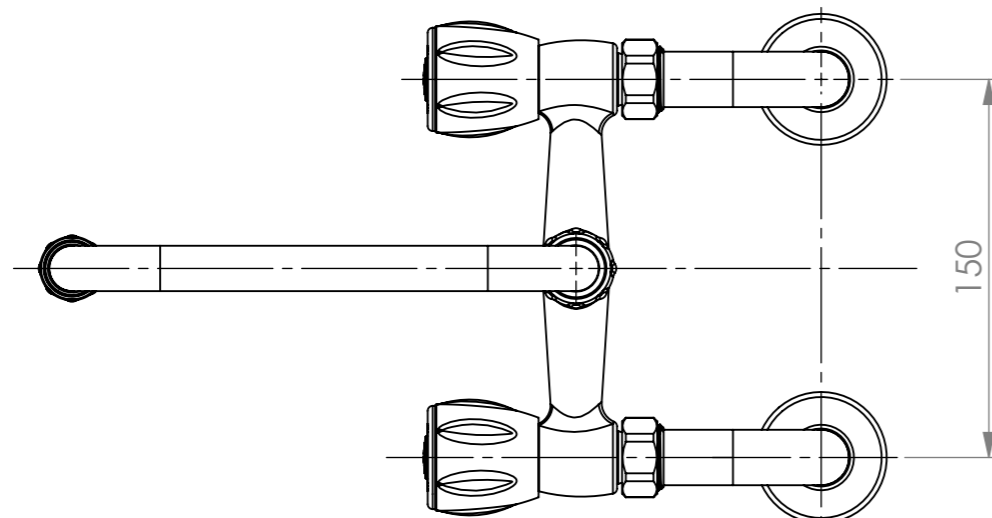


PVC-Gasket,
transparent

Hexagon nut G1/2 SW36 with
2x M4 female thread for anti-rotation



Media		MM
	Potable water	03
	Non-potable water	06

Max. bench thickness: 50 mm
Bench drilling: $\varnothing 21+1$ mm



UNLESS OTHERWISE SPECIFIED, ALL DIMENSIONS IN MM				THIS DRAWING IS PROPERTY OF ILA GMBH, IT CAN NOT BE PUBLISHED OR COMMUNICATED WITHOUT CONSENT OF ILA GMBH	
WEIGHT: 2327.490g				DESCRIPTION	
CREATED		DATE	NAME	Bench mounted two column mixing tap in brass for water. Inletconnection: 70mm shanks with G $\frac{1}{2}$ male thread. Height: 300mm. U-Swivel spout with 200mm standout and M22x1 aerator. Total stand out of 300mm. Molded nylon handle with media indication according to EN 13792. Rubber compression control headwork, 2X 360°. RAL 7035 powder coated finish	
CHECKED				DRAWING NUMBER.	
RELEASED				11.4300.40MM.0320	A3
INDEX	CHANGE	DATE	NAME	SCALE: 1 : 3	PAGE: 1 / 1

