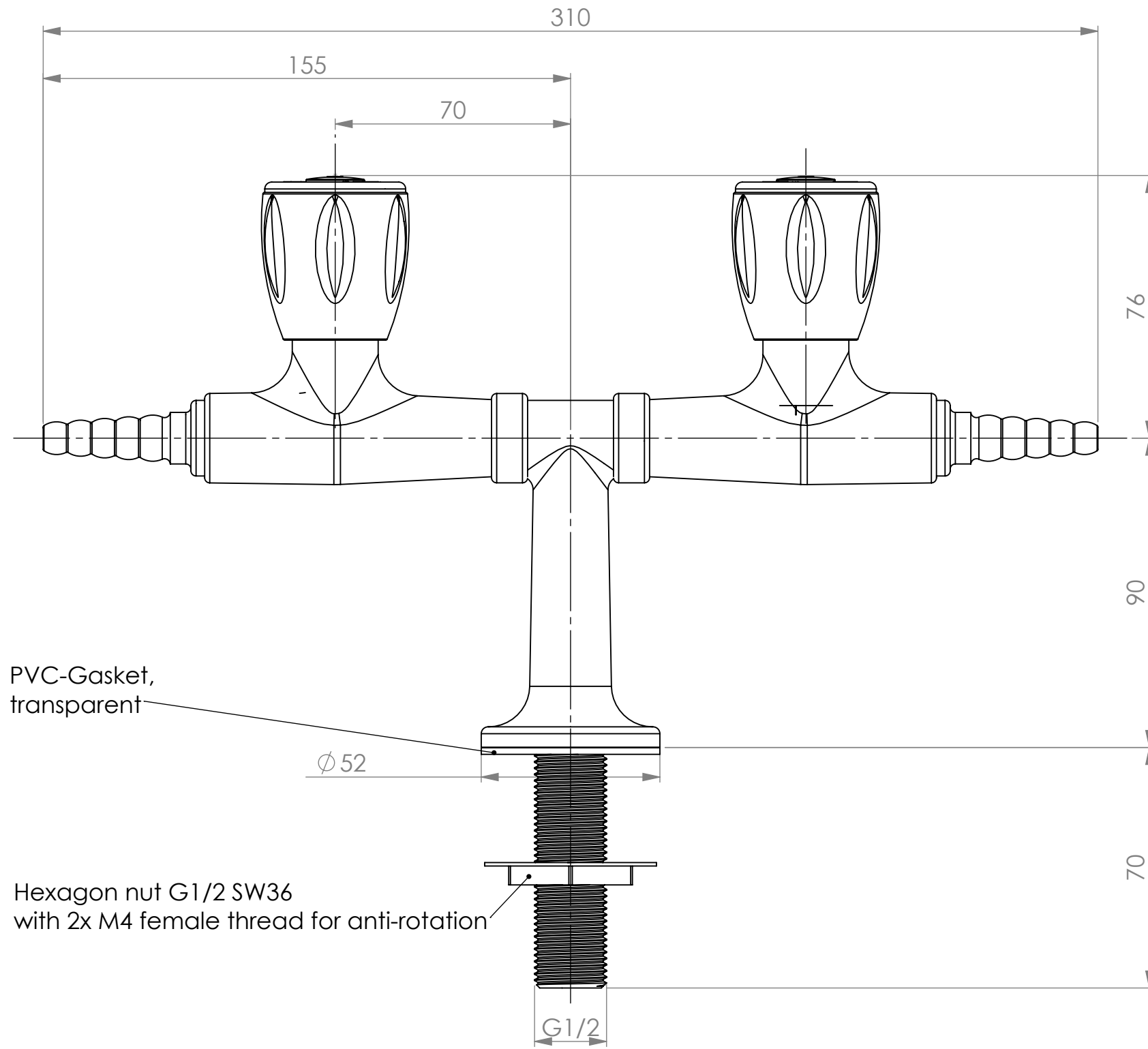


Max. bench thickness: 50 mm
 Bench drilling: $\varnothing 21+1$ mm



UNLESS OTHERWISE SPECIFIED, ALL DIMENSIONS IN MM

WEIGHT: 1527.214g

	DATE	NAME
CREATED	15.05.2023	C. Vowinkel
CHECKED	15.05.2023	C. Vowinkel
RELEASED	15.05.2023	C. Vowinkel

THIS DRAWING IS PROPERTY OF ILA GMBH, IT CAN NOT BE PUBLISHED OR COMMUNICATED WITHOUT CONSENT OF ILA GMBH

DESCRIPTION
 Bench mounted 2-way (180°) turret valve for vacuum. Inlet connection: 70mm shank with G $\frac{1}{2}$ male thread. Height: 90mm. Stand out of 155mm. Fixed serrated brass hose nozzle. Molded nylon handle with media indication according to EN 13792. PTFE compression control headwork, 2 x 360°. RAL 7035 powder coated finish.

DRAWING NUMBER:
 34.3500.2659.0080

A3



SCALE: 1 : 1,5



PAGE: 1 / 1

INDEX	CHANGE	DATE	NAME