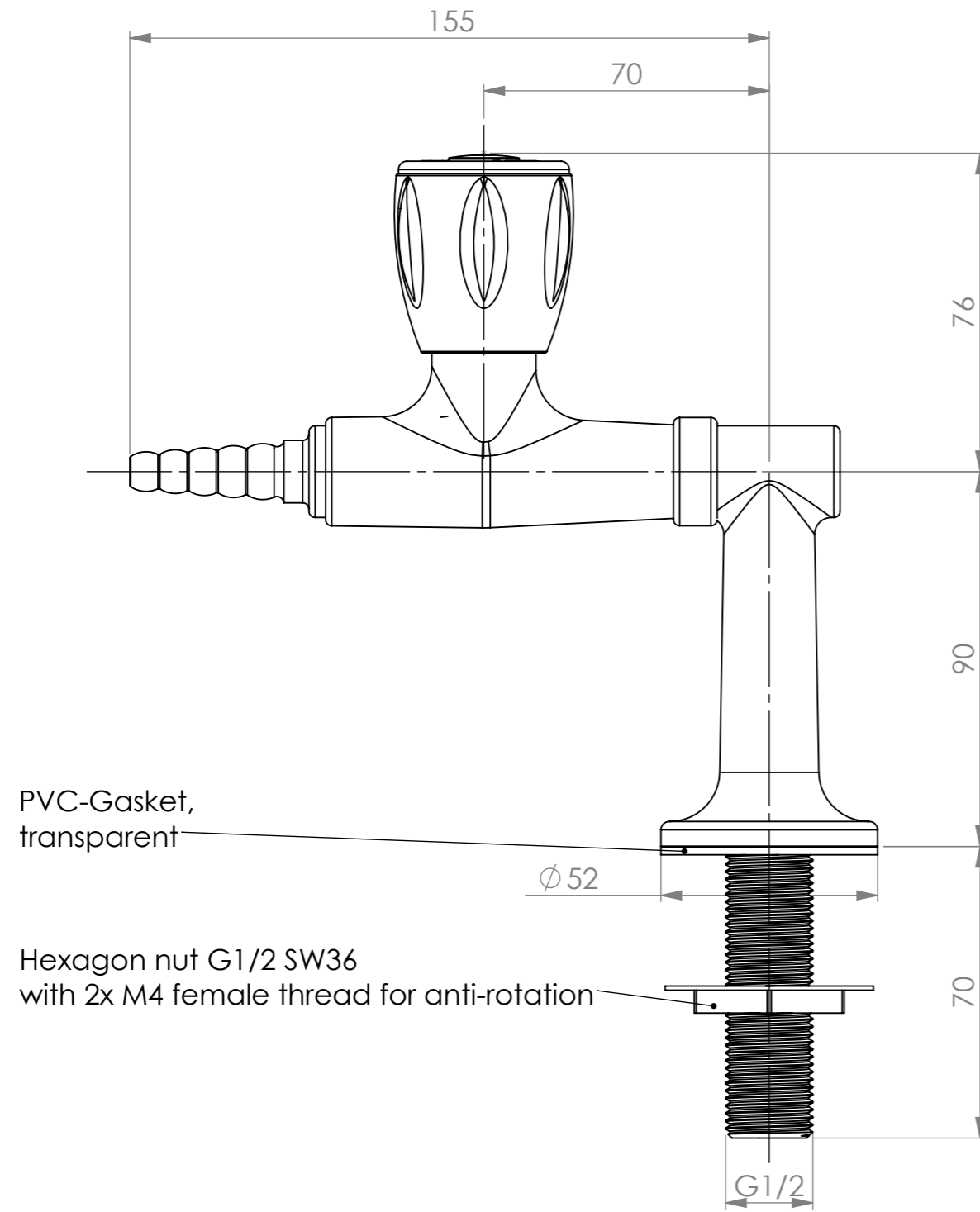


Max. bench thickness: 50 mm
 Bench drilling: $\varnothing 21+1$ mm



UNLESS OTHERWISE SPECIFIED, ALL DIMENSIONS IN MM

THIS DRAWING IS PROPERTY OF ILA GMBH, IT CAN NOT BE PUBLISHED OR COMMUNICATED WITHOUT CONSENT OF ILA GMBH

WEIGHT: 1004.595g

DESCRIPTION

	DATE	NAME
CREATED	15.05.2023	C. Vowinkel
CHECKED	15.05.2023	C. Vowinkel
RELEASED	15.05.2023	C. Vowinkel

Bench mounted single turret valve for vacuum. Inlet connection: 70mm shank with G $\frac{1}{2}$ male thread. Height: 90mm. Stand out of 155mm. Fixed serrated brass hose nozzle. Molded nylon handle with media indication according to EN 13792. PTFE compression control headwork, 2 x 360°. RAL 7035 powder coated finish.

DRAWING NUMBER.

34.3000.2659.0080

A3



SCALE: 1 : 1,5



PAGE: 1 / 1

INDEX	CHANGE	DATE	NAME