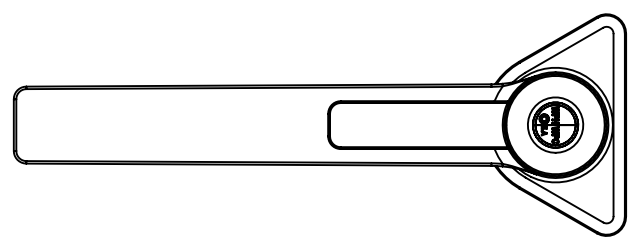




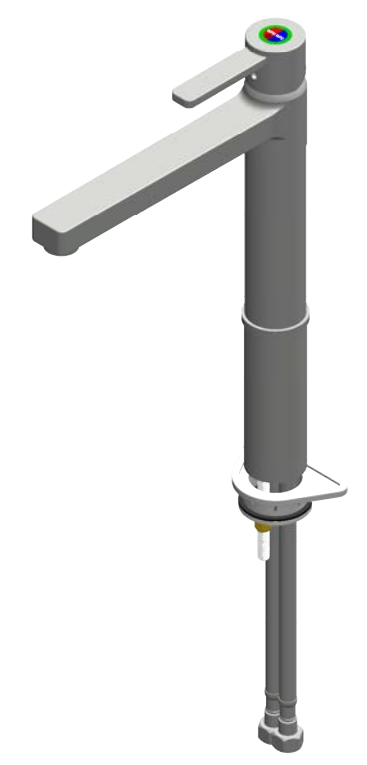


Flexible hoses  
with female G3/8 union nut connection



Media		MM
		Potable water 03
		Non-potable water 06

Max. bench thickness: 21mm  
Bench drilling:  $\varnothing 35+1$  mm



UNLESS OTHERWISE SPECIFIED, ALL DIMENSIONS IN MM				THIS DRAWING IS PROPERTY OF ILA GMBH. IT CAN NOT BE PUBLISHED OR COMMUNICATED WITHOUT CONSENT OF ILA GMBH	
				WEIGHT: 3452.526g	
				DATE	NAME
				CREATED	31.05.2023 D.kheradvar
				CHECKED	
				RELEASED	
				DESCRIPTION	
				Bench mounted single column mixing tap in brass for water. Inlet connection: 200mm hoses with female G3/8 union nut connection. Height: 300mm. Swivel spout with 200mm stand out and M24x1 aerator. Single lever with ceramic cartridge. RAL 7035 powder coated finish.	
				DRAWING NUMBER.	
				11.5100.58MM.3320	
				A3	
				SCALE: 1:3	
				PAGE: 1 / 1	
INDEX	CHANGE	DATE	NAME	