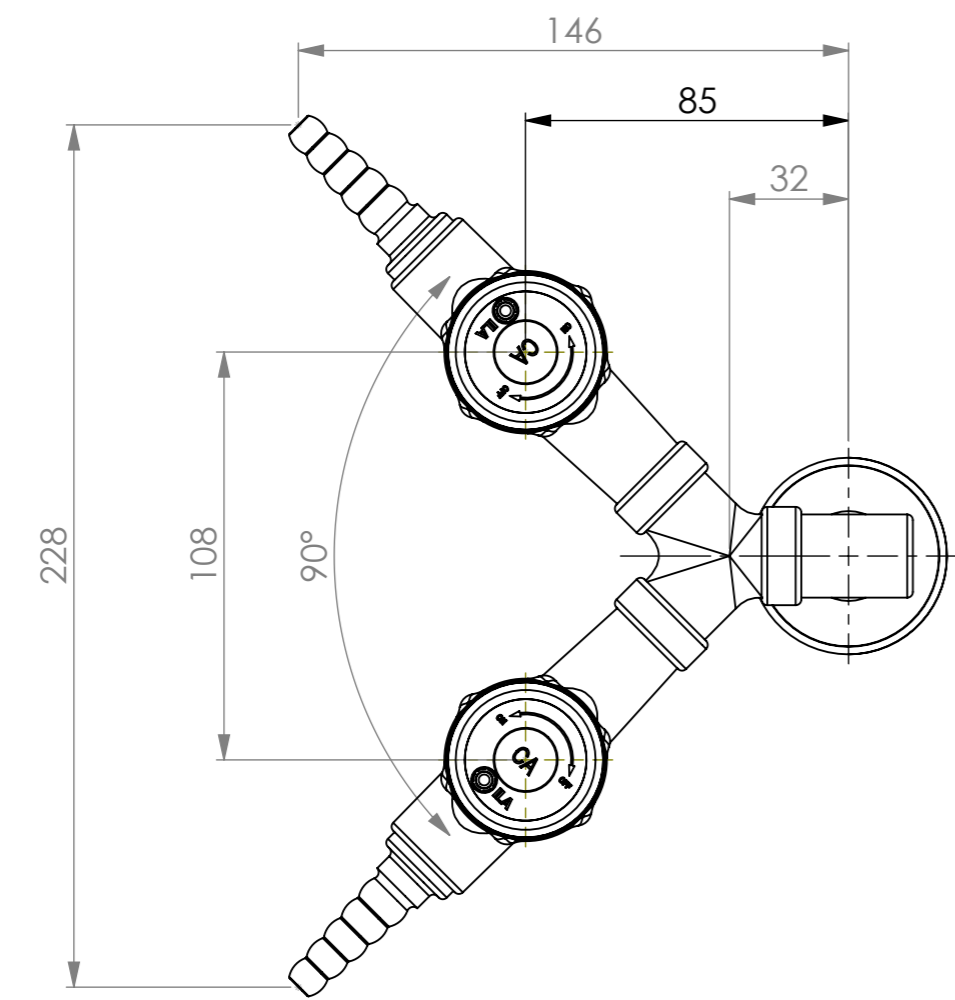


PVC-Gasket, transparent

Hexagon nut G1/2 SW36 with 2x M4 female thread for anti-rotation



Media	MM
CA Compressed air	38
N2 Nitrogen	35
CO2 Carbon dioxide	40
AR Argon	47
HE Helium	48

Max. bench thickness: 50 mm
Bench drilling: $\phi 21+1$ mm



UNLESS OTHERWISE SPECIFIED, ALL DIMENSIONS IN MM

WEIGHT: 1645.515g

	DATE	NAME
CREATED	15.05.2023	C. Vowinkel
CHECKED	15.05.2023	C. Vowinkel
RELEASED	15.05.2023	C. Vowinkel

THIS DRAWING IS PROPERTY OF ILA GMBH, IT CAN NOT BE PUBLISHED OR COMMUNICATED WITHOUT CONSENT OF ILA GMBH

DESCRIPTION
Bench mounted 2-way (90°) turret valve for 2.0 technical gases. Inlet connection: 70mm shank with G1/2 male thread. Height: 90mm. Stand out of 146mm. Fixed serrated brass hose nozzle. Molded nylon handle with media indication according to EN 13792. Needle cone headwork, 5/4 x 360°. RAL 7035 powder coated finish.



DRAWING NUMBER:
34.3100.26MM.2080

A3

INDEX	CHANGE	DATE	NAME

SCALE: 1 : 2