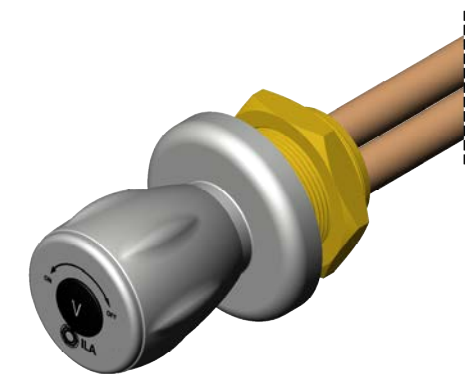
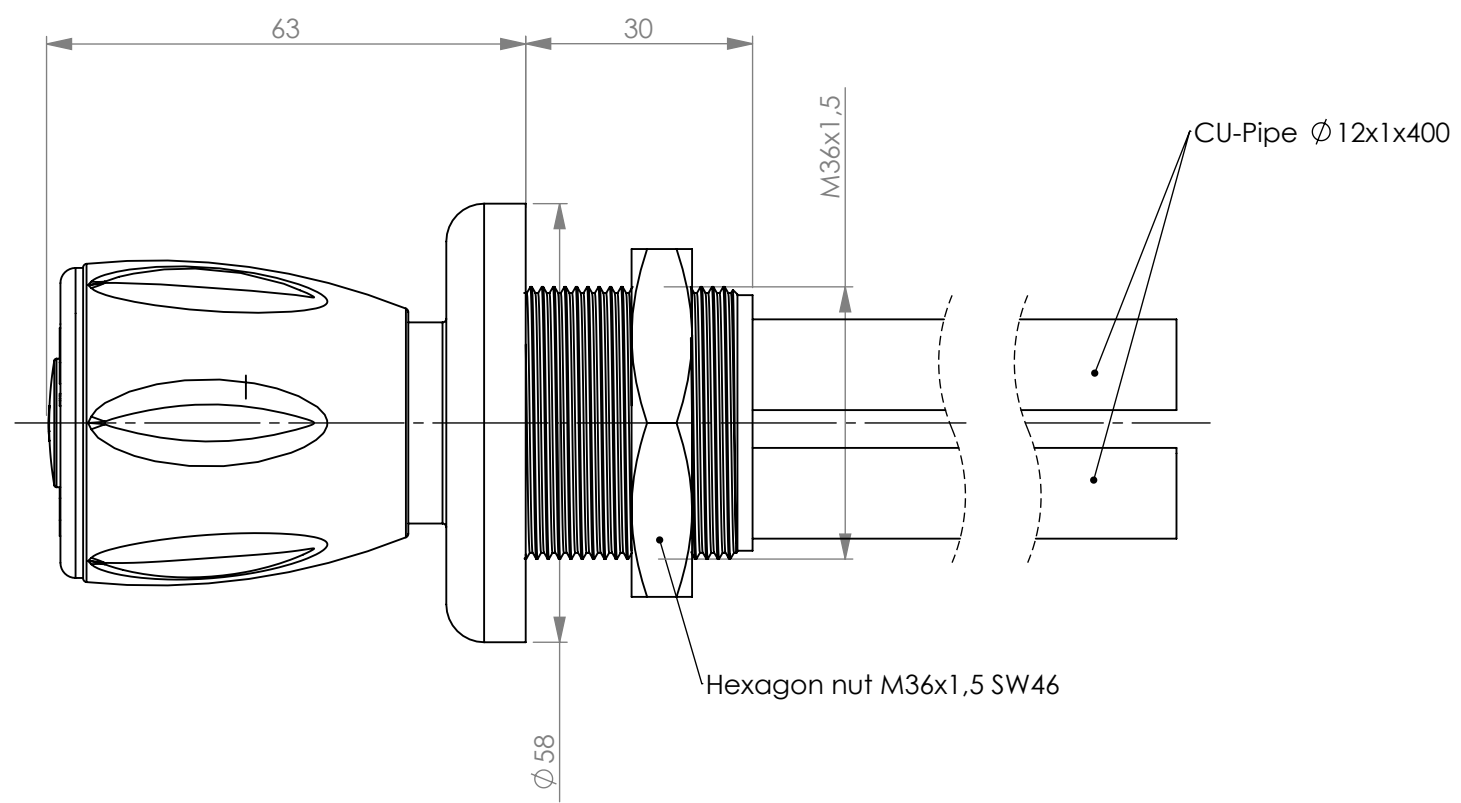


Max. panel thickness: 22 mm
 Panel drilling: $\varnothing 37+1$ mm



UNLESS OTHERWISE SPECIFIED, ALL DIMENSIONS IN MM

THIS DRAWING IS PROPERTY OF ILA GMBH. IT CAN NOT BE PUBLISHED OR COMMUNICATED WITHOUT CONSENT OF ILA GMBH

WEIGHT: 751.33g		
	DATE	NAME
CREATED	22.02.2022	C. Vowinkel
CHECKED	22.02.2022	C. Vowinkel
RELEASED	22.02.2022	C. Vowinkel

DESCRIPTION
 Fume hood valve M36x1.5 in brass for vacuum. In and outlet connection: $\varnothing 12 \times 400$ mm Cu-pipe. Molded nylon handle with media indication according to EN 13792. PTFE compression control headwork, 2 x 360°. Cover flange in RAL 7035.



DRWAING NUMBER
 32.1160.6659.0504 A4

INDEX	CHANGE	DATE	NAME
-------	--------	------	------

SCALE: 1:1 BLATT: 1 / 1