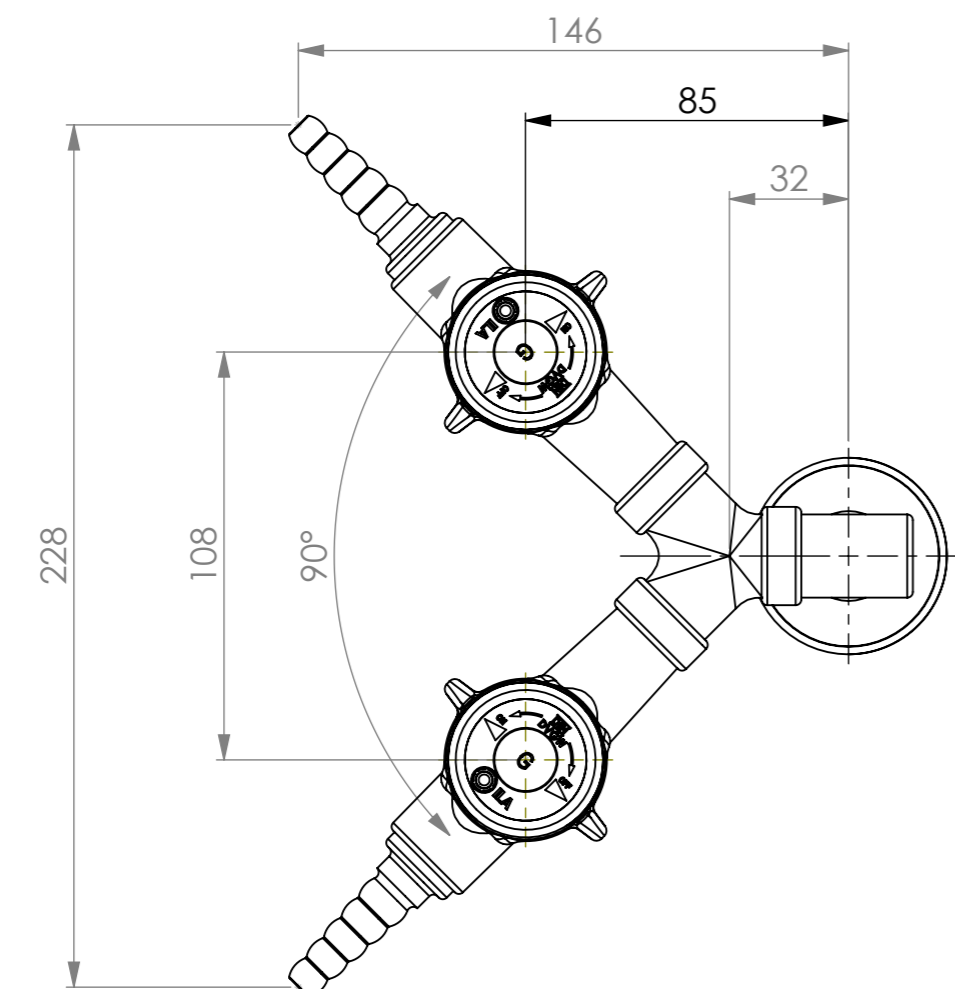




PVC-Gasket, transparent

Hexagon nut G1/2 SW36 with 2x M4 female thread for anti-rotation



Media	MM
 Natural gas	20
 Liquefied petroleum gas	21

Max. bench thickness: 50 mm
Bench drilling: $\phi 21+1$ mm



UNLESS OTHERWISE SPECIFIED, ALL DIMENSIONS IN MM

WEIGHT: 1569.028g

	DATE	NAME
CREATED	15.05.2023	C. Vowinkel
CHECKED	15.05.2023	C. Vowinkel
RELEASED	15.05.2023	C. Vowinkel

THIS DRAWING IS PROPERTY OF ILA GMBH, IT CAN NOT BE PUBLISHED OR COMMUNICATED WITHOUT CONSENT OF ILA GMBH

DESCRIPTION
Bench mounted 2-way (90°) turret valve for burning gases. Inlet connection: 70mm shank with G1/2 male thread. Height: 90mm. Stand out of 146mm. Fixed serrated brass hose nozzle. Molded nylon handle with media indication according to EN 13792. Push/Turn ceramic disc headwork, 90°. RAL 7035 powder coated finish.



DRAWING NUMBER:
24.3100.26MM.6080

A3

INDEX	CHANGE	DATE	NAME

SCALE: 1:2

PAGE: 1 / 1